



- NENUTEC is pleased to offer the NAY series Electric Butterfly Valve Actuator. These Actuator are mainly use with Butterfly Valve in the HVAC system to regulate the flow of water and steam in response to the demand of a controller.
- Complete range from 50Nm to 3000Nm
- On/Off or Modulating
- 0-10VDC or 4-20mA Control Signal Selectable
- High close-off pressure satisfies demanding requirements of high-rise buildings and high-pressure pumping systems
- Manual Handwheel

Specifications

Torque	See Table 1 for Selection
Power Supply	AC 220V ±15%
Frequency	50 / 60 Hz
Protection Class	II
Control Signals	See Table 1 for Selection
Life Cycle	60,000 cycle
IP Protection	IP 67
Ambient Temperature	-20°...50° as per IEC721-3-3
Ambient Humidity	5...95% rH (non Condensing)
Inventory Temperature	+70°C as per IEC 721-3-2
Weight	See Table 2
Certification	CE and ISO 9000 (EN...requirements)

Valve Actuator			Control Signal		Power Supply		Modulating Signal		Hyphenated		Actuating Force		
N	A	Y	M	2	.	1	-	0	0	5	0	H	S

Table 1: Actuator Code Number Designations

Valve Actuator NAV				
NAY = Butterfly Valve Actuator				
Control Signal				
A = On/Off				
M = Modulating Control				
Power Supply				
2 = 220Vac				
Modulating Signal (Applicable for Modulating Signal)				
1 = 0—10 Vdc or 4—20 mA				
Torque				
0050 = 50Nm	0150 = 160Nm	0500 = 500Nm	1100 = 1100Nm	2000 = 2000Nm
0080 = 80Nm	0350 = 350Nm	0800 = 800Nm	1500 = 1500Nm	3000 = 3000Nm

Table 1: Actuator Code Number Selection Guide

To Order

Specify the code number from the Actuator Code Selection Guide.

Repair Parts

Available repair parts for NAY Series Actuator include replacement actuators. No other field repairs should be attempted.

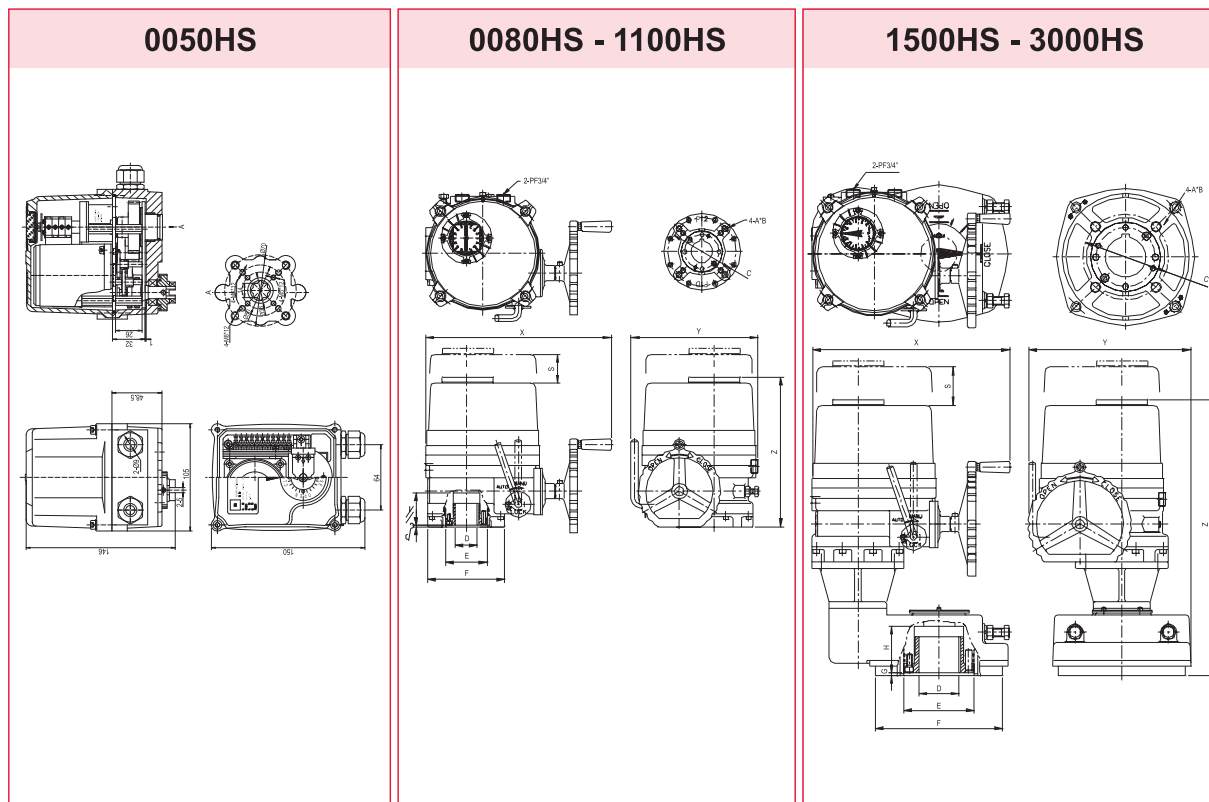
Table 2: Technical Data

Model		Power (w)	Max Output torque (N-m) AC220V/50Hz 1 Phase	Open/Close Time (sec)	ISO5211 Std	Weight (kg)	Remark
On/Off NAYA 2	Modulating NAYM 2.1						
0050HS		12	58	12/14	F03/F05/F07	3	With handwheel
0080HS		15	80	21	F07	7	
0150HS		40	150	26	F07/F10	15	
0350HS		40	350	31	F10/F12	20	
0500HS		90	500	31	F12/F14	20	
0800HS		180	800	39	F12/F14	25	
1100HS		180	1100	39	F12/F14	25	
1500HS		90	1500	93	F16	65	
2000HS		180	2000	117	F16	75	
3000HS		180	3000	117	F16	75	

Table 3 : Maximum Close-off Pressure (KPA)

Maximum Shutoff Pressure (KPA) with NVBF Series Valve															
Model	Torque (Nm)	DN50	DN65	DN80	DN100	DN125	DN150	DN200	DN250	DN300	DN350	DN400	DN450	DN500	DN600
0050HS	60	900	700	700											
0080HS	80				700	500									
0150HS	150					700	700								
0350HS	350							700	500						
0500HS	500								700	500					
0800HS	800										700				
1100HS	1100											700	500		
1500HS	1500												700	500	
2000HS	2000													700	
3000HS	3000														700

Dimension



With Gear Box

Type	0050HS	0080HS	0150HS	0350HS	0500HS	0800HS	1100HS	1500HS	2000HS	3000HS
Flange	F03	F07	F07	F10	F10	F12	F12	F16	F16	F16
ISO5211	F05, F07		F10	F12	F12	F14	F14			
C	∅ 30 ∅ 50, ∅ 70	∅ 70 ∅ 102	∅ 70 ∅ 102	∅ 102 ∅ 125	∅ 102 ∅ 125	∅ 125 ∅ 140	∅ 125 ∅ 140	∅ 165	∅ 165	∅ 165
A	M5/M6/M8	M8	M8/M10	M10/M12	M10/M12	M12/M16	M12/M16	M20	M20	M20
B	14	14	14/17	17/21	17/21	20/25	20/25	32	32	32
D(Key)		∅ 22	∅ 25	∅ 40	∅ 40	∅ 48	∅ 48	∅ 75	∅ 75	∅ 75
D(Squ.)	□ 14	□ 20	□ 23	□ 34	□ 34	□ 40	□ 40	□ 64	□ 64	64
E		∅ 50	∅ 58.5	∅ 80	∅ 80	∅ 95	∅ 95	∅ 135	∅ 135	∅ 135
F		∅ 88	∅ 125	∅ 148	∅ 148	∅ 178	∅ 178	∅ 245	∅ 245	∅ 245
G		3	3	3	3	3	3	5	5	5
H	14	37	57	62	62	67	67	90	90	90
S		100	115	145	145	170	170	145	170	170
X	149	258	338	357	357	380	380	368	380	380
Y	94	172	229	244	244	287	287	293	312	312
Z	148	220	259	288	288	313	313	506	531	531

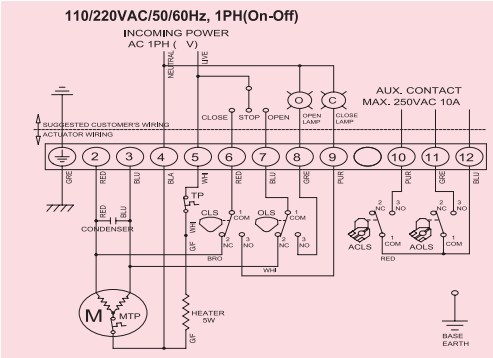
(mm)

(mm)

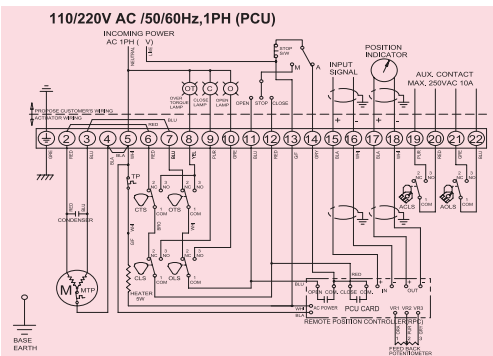
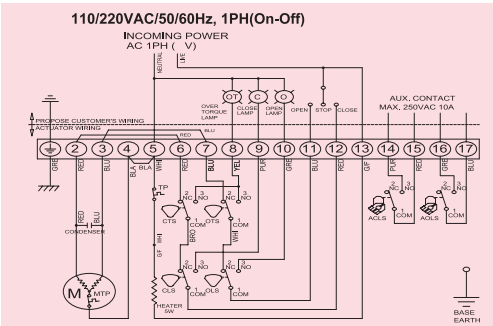
(mm)

Wiring diagram:

0080HS/0150HS

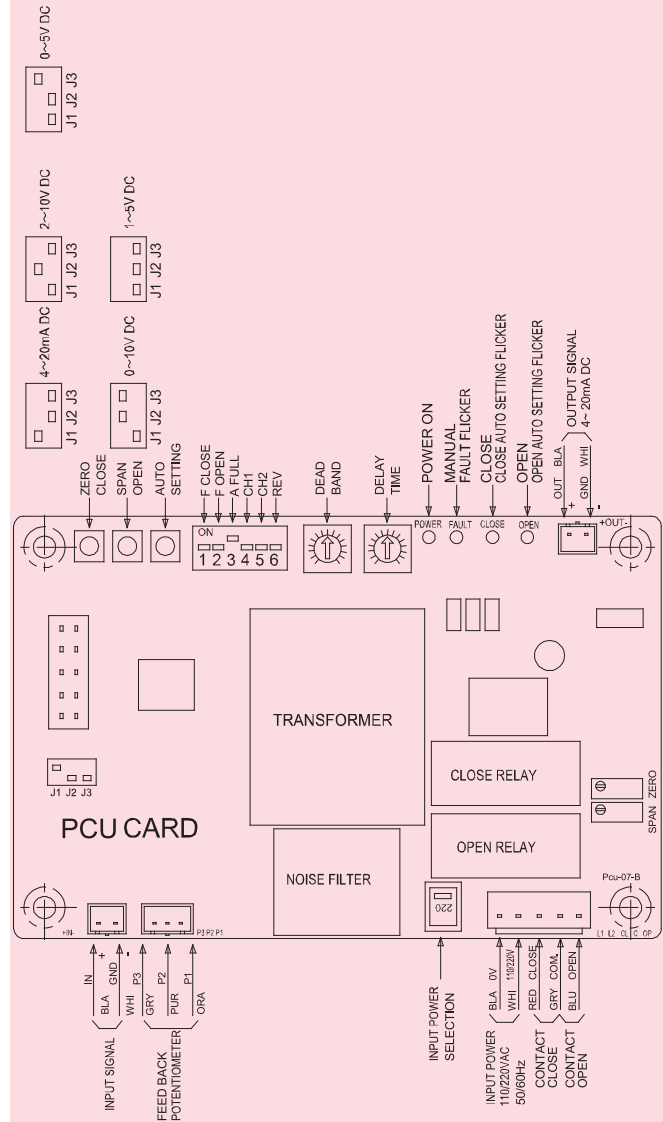


0350HS - 3000HS



PCU Wiring diagram:

INPUT SIGNAL SELECTION



Main Office:

NENUTEC®
NENUTEC ASIA PACIFIC PTE LTD
 7030 Ang Mo Kio Ave 5 #08-55
 Northstar@AMK
 Singapore 569880
 Phone : +65 6570 3233
 Fax : +65 6570 6783
 Email : info@nenutec.com.sg
 Website : www.nenutec.com.sg

Headquarter:

TELIMA AG
 Schachenstrasse 80
 CH-8645 Jona / Switzerland
 Tel : +41 55 224 40 60
 Fax : +41 55 224 40 69
 Email : info@telima.ch
 Website : www.nenutec.com